

# **wright** **STANDER**<sup>®</sup>

Parts List for The 48", 52" & 61" Wright Stander Mower  
(For Serial Numbers 20425 and Higher Until Superseded)

Replace with newer revisions as they become available



© 2003 Wright Manufacturing, Inc. All rights reserved

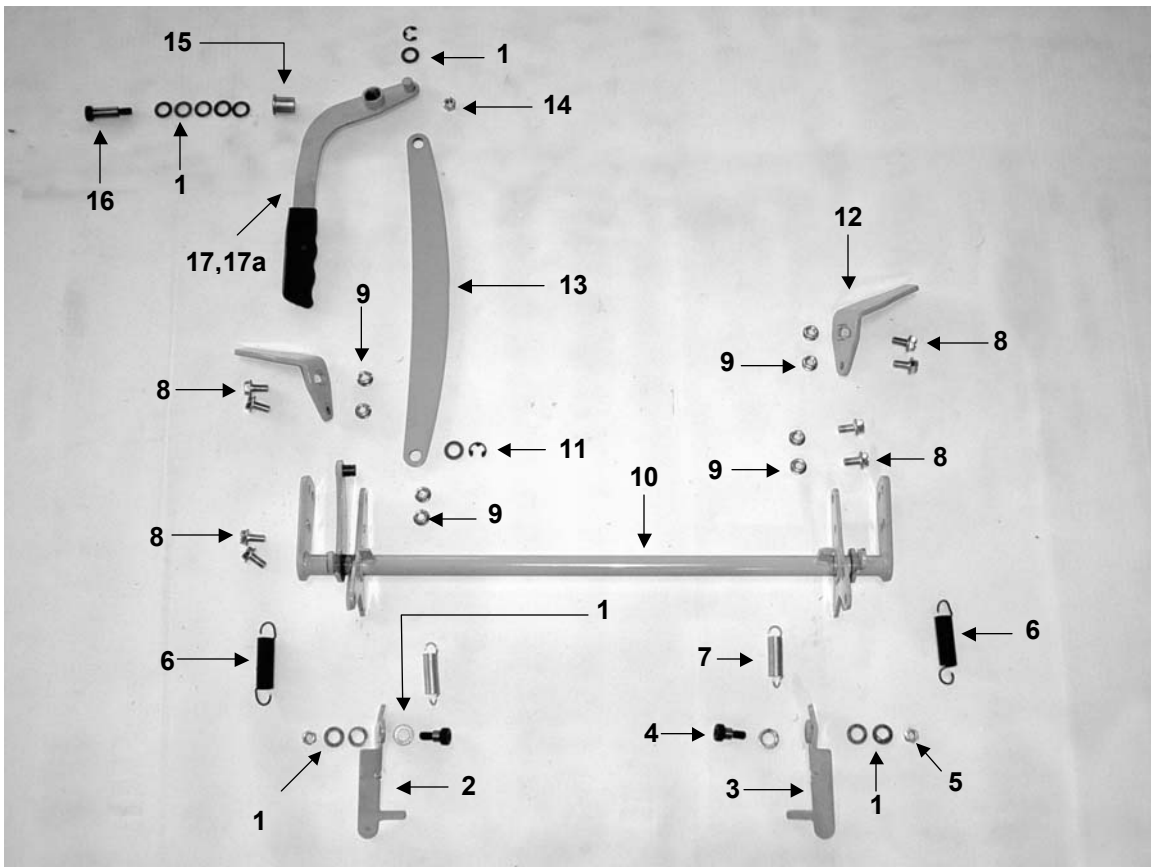
Revised: 10/26/04

  
**WRIGHT STANDER**  
**TABLE OF CONTENTS**

| <b>Assembly Name</b>                          | <b>Figure Page</b> |
|---|--------------------|
| <b>Brake Assembly</b> .....                   | <b>Figure 1</b>    |
| <b>Caster Assembly</b> .....                  | <b>Figure 2</b>    |
| <b>Control Lever Assembly</b> .....           | <b>Figure 3</b>    |
| <b>Dash board Assembly</b> .....              | <b>Figure 4</b>    |
| <b>Deck &amp; Pulley Configuration</b> .....  | <b>Figure 5</b>    |
| <b>Deck Assembly</b> .....                    | <b>Figure 6</b>    |
| <b>Electrical Start Assembly</b> .....        | <b>Figure 7</b>    |
| <b>Electrical Start Diagram</b> .....         | <b>Figure 8</b>    |
| <b>Recoil Start Wiring Harness</b> .....      | <b>Figure 9</b>    |
| <b>Electric Start (European Models)</b> ..... | <b>Figure 10</b>   |
| <b>Engine &amp; Muffler Assembly</b> .....    | <b>Figure 11</b>   |
| <b>Engine Deck Assembly</b> .....             | <b>Figure 12</b>   |
| <b>Foot Plate Assembly</b> .....              | <b>Figure 13</b>   |
| <b>Fuel System Assembly</b> .....             | <b>Figure 14</b>   |
| <b>Hydraulic Assembly</b> .....               | <b>Figure 15</b>   |
| <b>Motor Support Assembly</b> .....           | <b>Figure 16</b>   |
| <b>Upright Assembly</b> .....                 | <b>Figure 17</b>   |
| <b>Decals</b> .....                           | <b>Figure 18</b>   |

# WRIGHT STANDER BRAKE ASSEMBLY

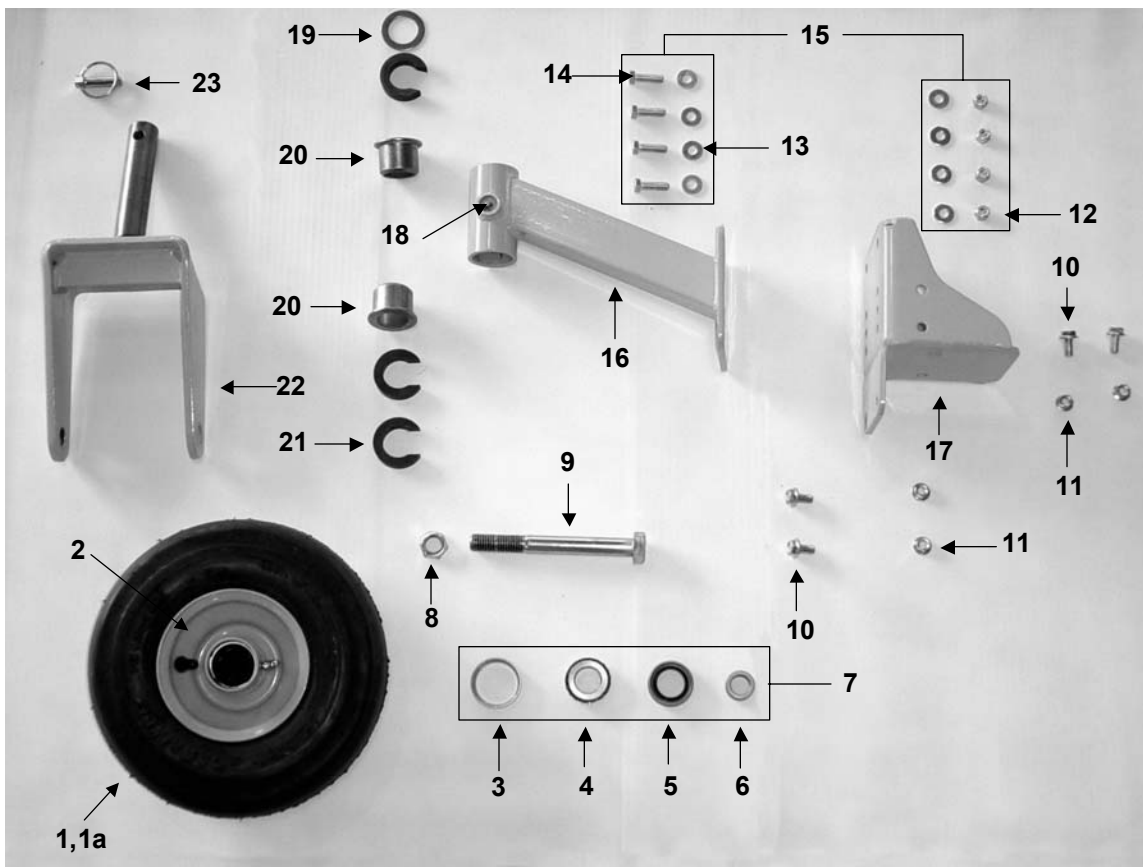
Figure 1



|     |          |  |
|-----|----------|--|
| 1   | 13990015 | Mach Bushing, 1/2 ID x 7/8 OD x 18 Ga.               |
| 2   | 93410079 | Pump Lock Lever, Left, Stander                       |
| 3   | 93410080 | Pump Lock Lever, Right, Stander                      |
| 4   | 11990075 | Bolt, shldr Allen 1/2 x 3/8                          |
| 5   | 12990031 | Nut, Toplock 3/8 - 16                                |
| 6   | 16410009 | Spring Ext.  |
| 7   | 16410008 | Spring, Deck Cog                                     |
| 8   | 11990030 | Bolt, Flange 3/8 - 16 x 3/4 Z5                       |
| 9   | 12990008 | Nut, Lock Flange 3/8 - 16 Z                          |
| 10  | 93410017 | Brake, Lateral Link Bar                              |
| 11  | 15990009 | E-Clip 1/2   |
| 12  | 93410007 | Brake Shoe   |
| 13  | 93410084 | Brake Push Bar, Stander                              |
| 14  | 12990031 | Nut, Top lock 3/8 - 16                               |
| 15  | 14990002 | H-Bush .5060 x .7480 x 1 x 1 x .125                  |
| 16  | 11990021 | Bolt, shldr Allen 1/2 x 1 1/4                        |
| 17  | 98420003 | Parking Brake Handle Assembly ( incl. #15 and #17a ) |
| 17a | 17420003 | Handle grip for brake                                |

# WRIGHT STANDER CASTER ASSEMBLY

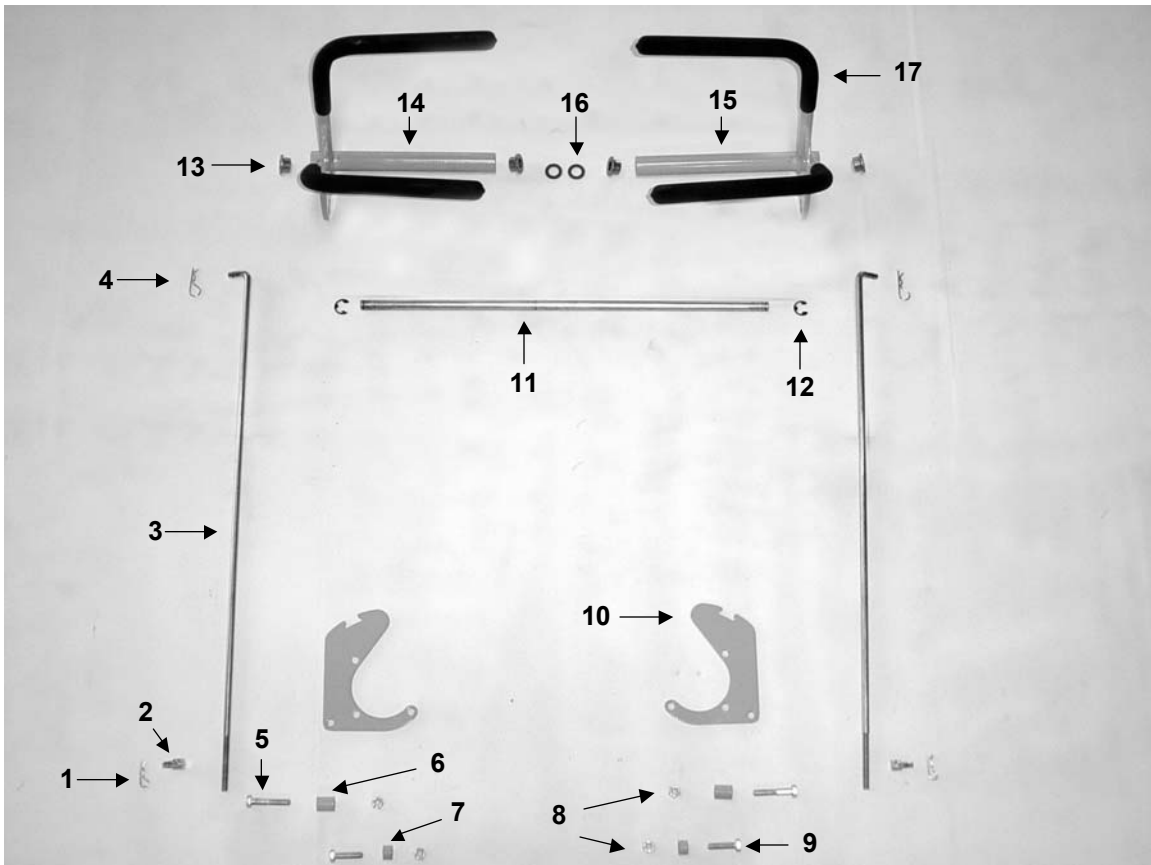
Figure 2



|    |          |   |
|----|----------|---|
| 1  | 72460002 | 11 x 400 - 5 Wheel Assembly                     |
| 1a | 77460009 | Tire Only                                       |
| 2  | 77460008 | Rim Only  |
| 3  | 77460007 | LT Race, For Bearing                            |
| 4  | 77460006 | LT Tapered Roller Bearing                       |
| 5  | 77460005 | LT Grease Seal                                  |
| 6  | 77460004 | LT Wheel Spacer                                 |
| 7  | 98460019 | LT Bearing Kit ( 2 ea. #3, #4, #5 and #6 )      |
| 8  | 12990026 | Nut, Nylock Jam 3/4 - 10                        |
| 9  | 11990034 | Bolt, Hex HD 3/4 - 10 x 6 1/2 Z5                |
| 10 | 11990030 | Bolt, Flange 3/8 - 16 x 3/4 Z5                  |
| 11 | 12990008 | Nut, Flange Lock 3/8 - 16 Z                     |
| 12 | 12990020 | Nut, Nylock 3/8 - 16 Z                          |
| 13 | 13990010 | Washer, USS F/W 5/16 Z                          |
| 14 | 11990032 | Bolt, 3/8 - 16 x 1 1/4 Z5                       |
| 15 | 98460018 | Caster Bolt Kit ( 8 Bolts, 8 Nuts, 16 Washers ) |
| 16 | 98460016 | L-S Caster Arm ( incl. 1 #18, 2 #20 )           |
| 17 | 93460006 | Caster Adjustment Bracket                       |
| 18 | 15990006 | Zerk Fitting for Caster Arm                     |
| 19 | 13990023 | Mach Bushing 1 1/4 x 10 Ga.                     |
| 20 | 14990003 | Bronze Bushing                                  |
| 21 | 13990022 | C-Spacer  |
| 22 | 93460008 | L-S Caster Yoke                                 |
| 23 | 15990013 | Lynch Pin                                       |

# WRIGHT STANDER CONTROL LEVER ASSEMBLY

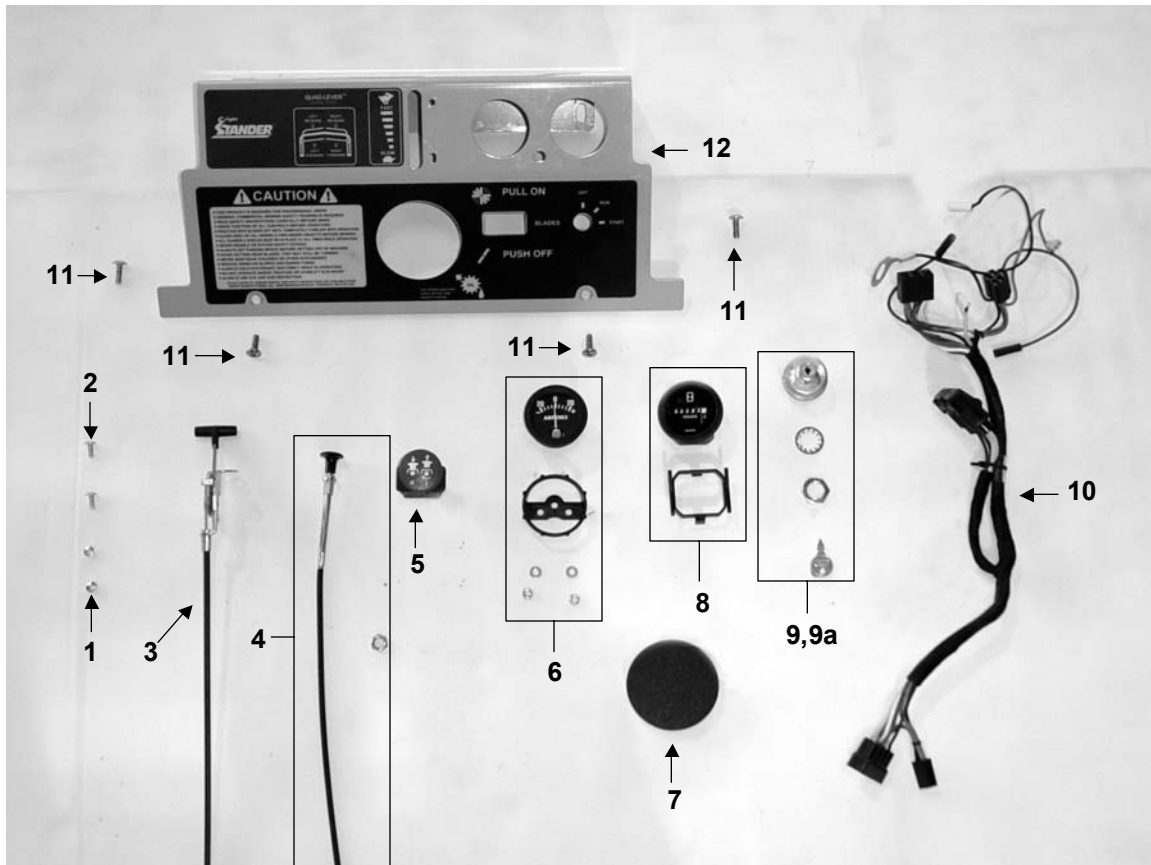
Figure 3



|    |            |   |
|----|------------|---|
| 1  | 15990007   | Hitch Pin Clip #213                                 |
| 2  | 18410002   | Swivel End, 5/16 – 18                               |
| 3  | 85410022   | Control Rod x 26"                                   |
| 4  | Medal21-05 | Hitch Pin Clip #3                                   |
| 5  | 11990044   | Bolt, Hex 5/16 – 18 x 1 3/4 Z5                      |
| 6  | 93410082   | Pump Lever Spacer .625 x .78125, Stander            |
| 7  | 93410083   | Pump Lever Spacer .625 x .40625, Stander            |
| 8  | 12990021   | Nut, Nylock 5/16 – 18Z                              |
| 9  | 11990065   | Bolt, Hex 5/16 – 18 x 1 1/4 Z5                      |
| 10 | 93410081   | Pump Lever  |
| 11 | 22420002   | Groove Pin 1/2 x 19.9375 Z                          |
| 12 | 15990009   | E-Clip 1/2  |
| 13 | 14990004   | Bushing, Bronze 1/2 Long                            |
| 14 | 98420001   | Left Control Lever Assembly ( incl. 2 #13, 2 #17 )  |
| 15 | 98420006   | Right Control Lever Assembly ( Incl. 2 #13, 2 #17 ) |
| 16 | 13990015   | Mach Bushing 1/2 ID 7/8 OD 18 Ga.                   |
| 17 | 17420004   | Foam Grip   |

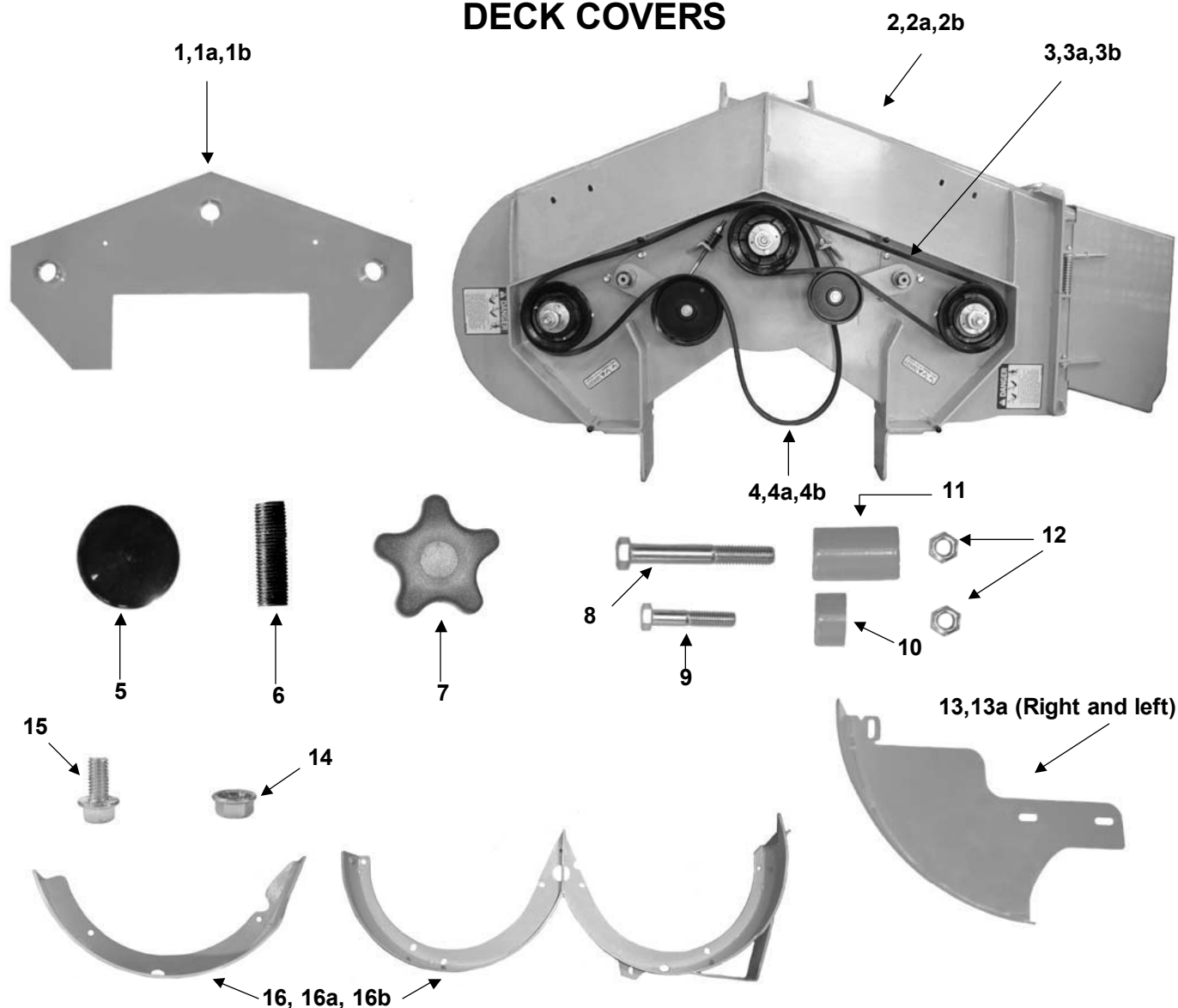
# WRIGHT STANDER DASH BOARD ASSEMBLY

Figure 4



|    |          |   |
|----|----------|---|
| 1  | 12990015 | Nut, kep 10 – 32  |
| 2  | 11990023 | Screw, Truss HD mach 10 – 32 x ½ Z                        |
| 3  | 52420002 | Throttle Cable  |
| 4  | 52460002 | Choke Cable incl. Retaining Nut                           |
| 5  | 52420003 | Clutch Switch, Red Push/Pull                              |
| 6  | 54420002 | Ammeter incl. Retainer and Hardware                       |
| 7  | 17420001 | Plug, Panel 3” , Black                                    |
| 8  | 54420001 | Hour Meter incl. Retainer                                 |
| 9  | 20420002 | Ignition Switch, Electric Start (incl. Key and Hardware ) |
| 9a | 20420001 | Ignition Switch, Recoil (incl. Key and Hardware)          |
| 10 | 53490004 | Wire Harness, Dash Panel, Electric Start                  |
| 11 | 11990024 | Screw, Truss HD mach ¼ - 20 x ¾ Z                         |
| 12 | 93420006 | Instrument Panel  |

# WRIGHT STANDER DECK & PULLEY CONFIGURATION & DECK COVERS

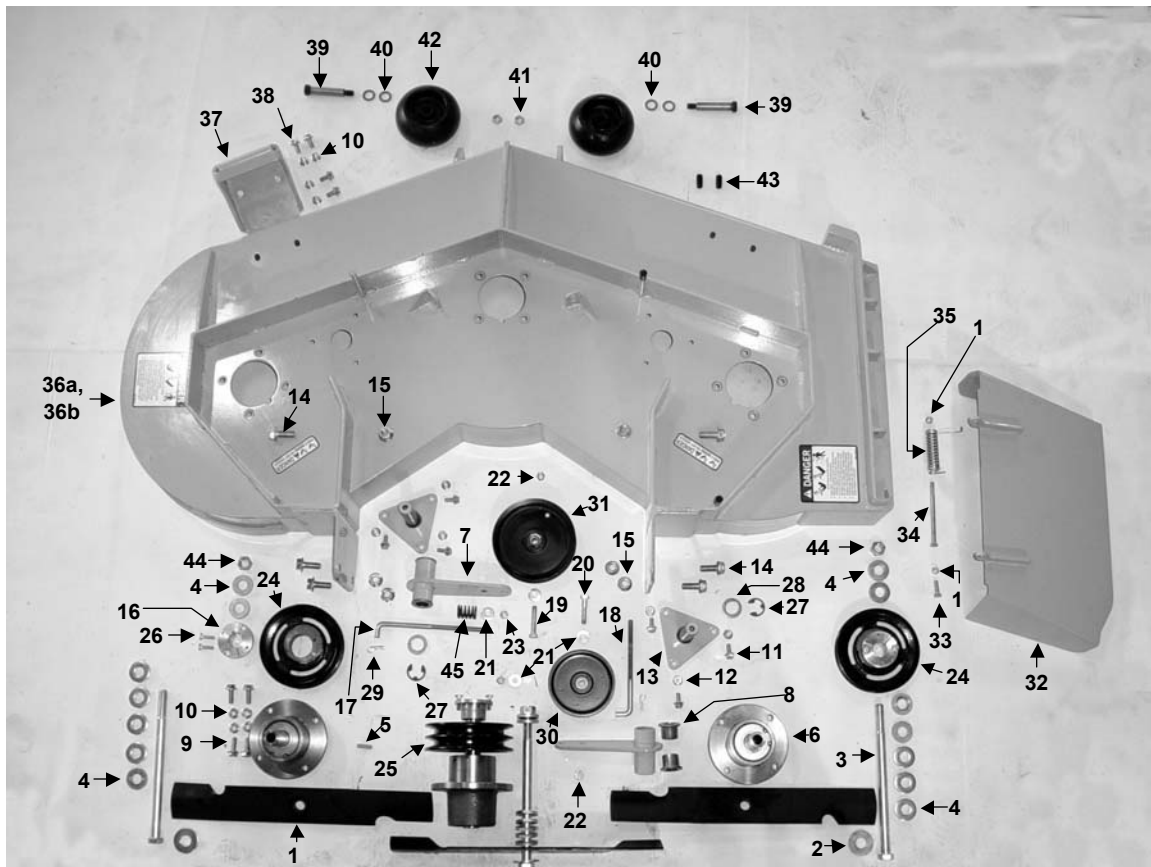


|    |          |                                     |
|----|----------|-------------------------------------|
| 1  | 93430002 | Deck Cover, 48"                     |
| 1a | 93440002 | Deck Cover, 52"                     |
| 1b | 93450002 | Deck Cover, 61"                     |
| 2  | 93430001 | Cutter Deck, 48" w/Caps and Decals  |
| 2a | 93440001 | Cutter Deck, 52" w/Caps and Decals  |
| 2b | 93450001 | Cutter Deck, 61" w/Caps and Decals  |
| 3  | 71460010 | Belt, Blade to Blade 48"            |
| 3a | 71460002 | Belt, Blade to Blade 52"            |
| 3b | 71460012 | Belt, Blade to Blade 61"            |
| 4  | 71460011 | Belt, Engine to Blade 48"           |
| 4a | 71460003 | Belt, Engine to Blade 52"           |
| 4b | 71460013 | Belt, Engine to Blade 61"           |
| 5  | 17460001 | Cap Vinyl, 2 1/2 x 1 1/2 Deck Cover |

|     |          |                                      |
|-----|----------|--------------------------------------|
| 6   | 24460001 | Stud, Threaded 3/8 – 24 x 1 1/4      |
| 7   | 18410001 | Knob, Black Plastic For Deck Covers  |
| 8   | 11990006 | Bolt, Hex 3/8 – 16 x 2 1/2 Z5        |
| 9   | 11990005 | Bolt, Hex 3/8 – 16 x 2 Z5            |
| 10  | 93410089 | Fender Spacer Short, 48 – 61 Stander |
| 11  | 93410088 | Fender Spacer Long, 48 – 61 Stander  |
| 12  | 12990031 | Nut, Toplock 3/8 – 16                |
| 13  | 93410086 | Fender Left, 48 – 61 Stander         |
| 13a | 93410087 | Fender Right, 48 – 61 Stander        |
| 14  | 12990008 | Nut, Lock Flange 3/8 – 16 Z          |
| 15  | 11990030 | Bolt, Flange, 3/8 – 16 x 3/4 Z5      |
| 16  | 95430003 | Mulch Kit, Curved 48"                |
| 16a | 95440003 | Mulch Kit, Curved 52"                |
| 16b | 95450003 | Mulch Kit, Curved 61"                |

# WRIGHT STANDER DECK ASSEMBLY

Figure 6

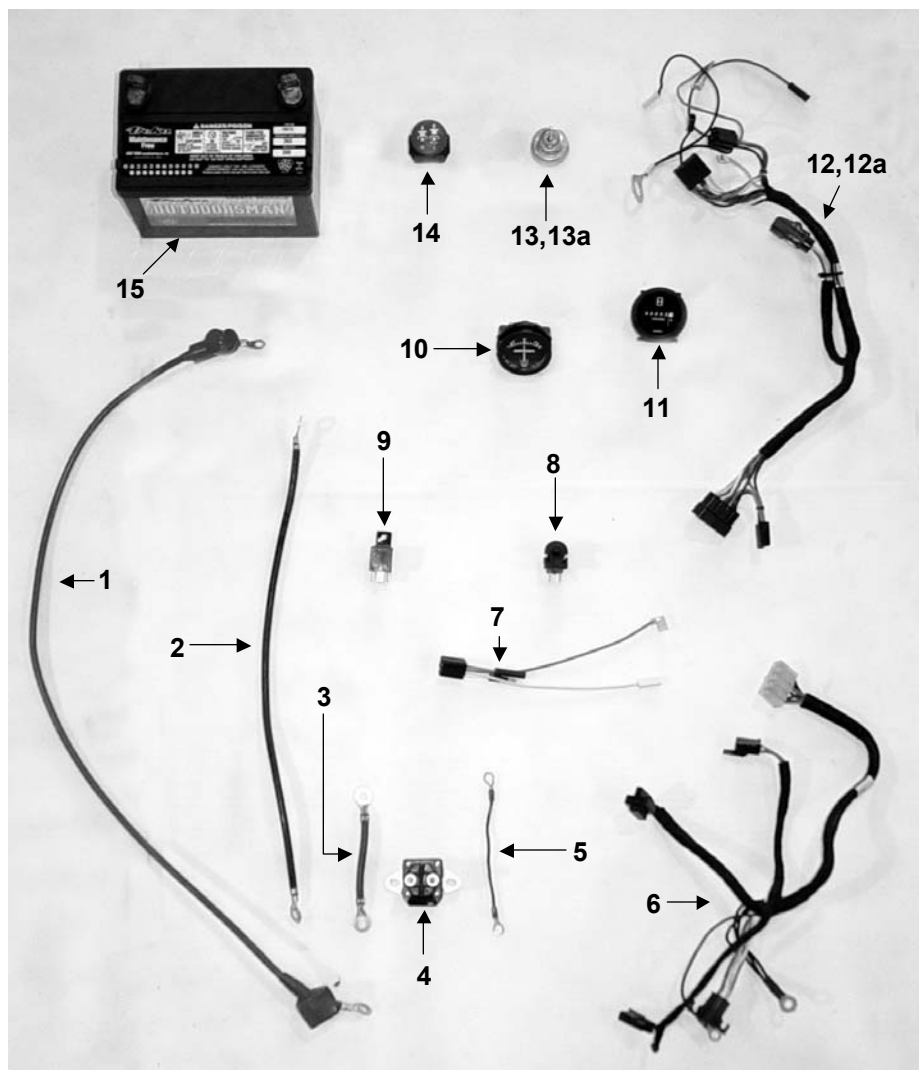


|    |          |                                       |
|----|----------|---------------------------------------|
| 1  | 71440002 | Blade, 16 1/2", For 48" Deck          |
| 1a | 71440001 | Blade, 18", For 52" Deck              |
| 1b | 71440003 | Blade, 21", For 61" Deck              |
| 2  | 13990011 | Washer, Flat USS 5/8 Z                |
| 3  | 11990014 | Bolt, Hex 5/8 - 11 x 10 Z5            |
| 4  | 13990007 | Mach Bush 5/8 x 1 1/2 x 1/4 Z         |
| 5  | 15990003 | Mach Key 1/4 x 1/4 x 1                |
| 6  | 71460007 | Spindle Assembly                      |
| 7  | 98490003 | Idler Arm Assembly                    |
| 8  | 14990001 | Pbush .8825 x 1.1235 x 1 x 1.5 x .125 |
| 9  | 11990046 | Bolt, Flange 3/8 - 16 x 1 Z8          |
| 10 | 12990008 | Nut, Lock Flange 3/8 - 16 Z           |
| 11 | 11990012 | Bolt, Flange 5/16 - 18 x 3/4 Z5       |
| 12 | 12990007 | Nut, Lock Flange 5/16 - 18 Z          |
| 13 | 93490001 | Idler Arm Base                        |
| 14 | 11990015 | Bolt, Flange 1/2 - 13 x 1 1/4 Z5      |
| 15 | 12990010 | Nut, Lock Flange 1/2 - 13 Z           |
| 16 | 71460008 | Bushing, Split Tapered 1"             |
| 17 | 85460030 | Idler Adjustment Rod, 3/8, 8" Long    |
| 18 | 85460014 | Idler Adjustment Rod 3/8              |
| 19 | 11990005 | Bolt, Hex 3/8 - 16 x 2 Z5             |
| 20 | 11990066 | Bolt, Hex 3/8 - 16 x 1 3/4 Z5         |
| 21 | 13990010 | Washer, Flat USS 5/16 Z               |
| 22 | 12990031 | Nut, Toplock 3/8 - 16                 |
| 23 | 12990020 | Nut, Nylock 3/8 - 16                  |

|     |          |   |
|-----|----------|---|
| 24  | 71460004 | Pulley Single GRV 5 3/4 OD - A/B        |
| 25  | 71460005 | Pulley, DBL GRV 5 3/4 OD - A/B          |
| 26  | 11990033 | Bolt, Hex 1/4 - 20 x 7/8 P5             |
| 27  | 15990010 | E-Clip 7/8                              |
| 28  | 13990017 | MACH Bushing 7/8 ID 1 3/8 OD 14 Ga.     |
| 29  | 15990007 | Hitch Pin Clip #213                     |
| 30  | 71460006 | Pulley, Idler 4 1/2 x 1 x 3/8 Bore      |
| 31  | 71460009 | Pulley, Idler 5 3/4 x 1 1/16 x 3/8 Bore |
| 32  | 93460002 | Chute Deflector                         |
| 33  | 11990027 | Bolt, Hex 5/16 - 18 x 1 Z5              |
| 34  | 11990003 | Bolt, Hex 5/16 - 18 x 4 1/2 Z5          |
| 35  | 16460002 | Spring, Torsion For Chute Def.          |
| 36  | 93430001 | Cutter Deck, 48" w/Caps and Decals      |
| 36a | 93440001 | Cutter Deck 52" w/Caps and Decals       |
| 36b | 93450001 | Cutter Deck 61" w/Caps and Decals       |
| 37  | 93460006 | Caster Adjustment Bracket               |
| 38  | 11990030 | Bolt, Flange 3/8 - 16 x 3/4 Z5          |
| 39  | 11990022 | Bolt, SHLDR Allen 5/8 x 2.75 - Rollers  |
| 40  | 13990016 | MACH Bushing, 5/8 ID x 1 OD x 14 Ga.    |
| 41  | 12990022 | Nut, Nylock Jam 1/2 - 13 Z              |
| 42  | 72490001 | WHL, Plastic, 5" x 2 3/4 w/ 5/8 Bore    |
| 43  | 17460002 | Cap, Vinyl 3/8 x 1                      |
| 44  | 12990003 | Nut, Hex 5/8 - 11Z For Blades           |
| 45  | 16460005 | Spring, Deck Idler Rod                  |

# WRIGHT STANDER ELECTRICAL ASSEMBLY

Figure 7



|     |          |  |
|-----|----------|--|
| 1   | 53490010 | Cable, Battery, Red 38" with Lug Insul.                    |
| 2   | 53490011 | Cable, Battery, Black 18 1/2 "                             |
| 3   | 53490012 | Cable, Battery Red 3 1/2 "                                 |
| 4   | 53490009 | Solenoid   |
| 5   | 53490007 | Wire, Grounding  |
| 6   | 53490005 | Harness, Main, Electric with Relay                         |
| 7   | 53490017 | Wire Harness, Engine ( Kaw 17 HP. R/E and 19/23/25 HP )    |
| 8   | 52410003 | Switch, OPC, Black   |
| 9   | 53490019 | Relay for Main Harness                                     |
| 10  | 54420002 | Ammeter incl. Retainer and Hardware                        |
| 11  | 54420001 | Hour Meter, incl. Retainer                                 |
| 12  | 53490004 | Wire Harness Instrument Panel, Electric                    |
| 12a | 53490015 | Wire Harness Instrument Panel, Recoil                      |
| 13  | 20420002 | Ignition Switch, Electric Start ( Incl. Key and Hardware ) |
| 13a | 20420001 | Ignition Switch, Recoil (incl. Key and Hardware)           |
| 14  | 52420003 | Clutch Switch, Red Push/ Pull                              |
| 15  | 56410001 | Battery, 12v, Maint. Free                                  |

Figure 8

# STANDER

## ELECTRIC START WIRE HARNESSSES

NOTE: SHOWING WIRE SIDE OF CONNECTORS

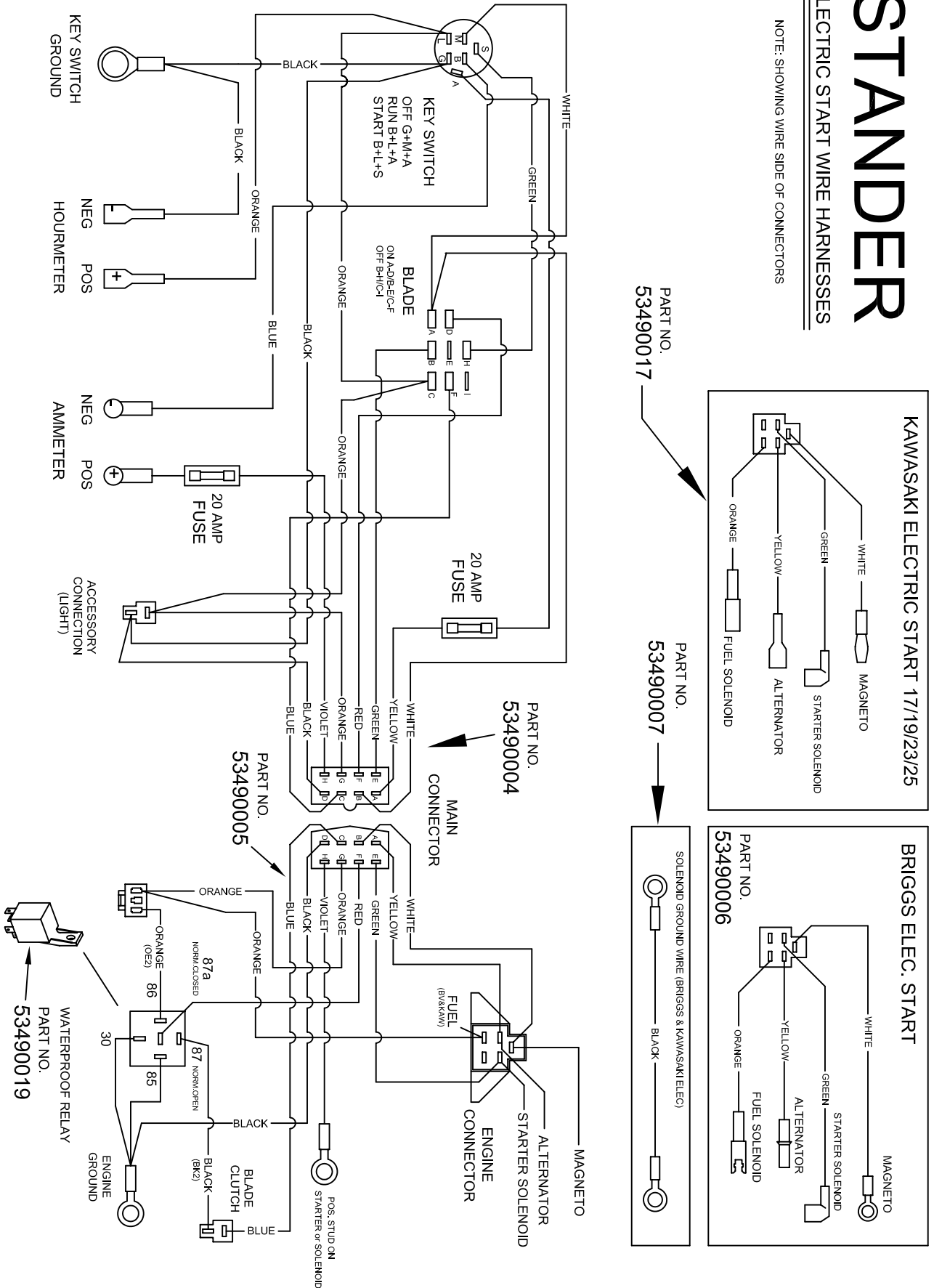
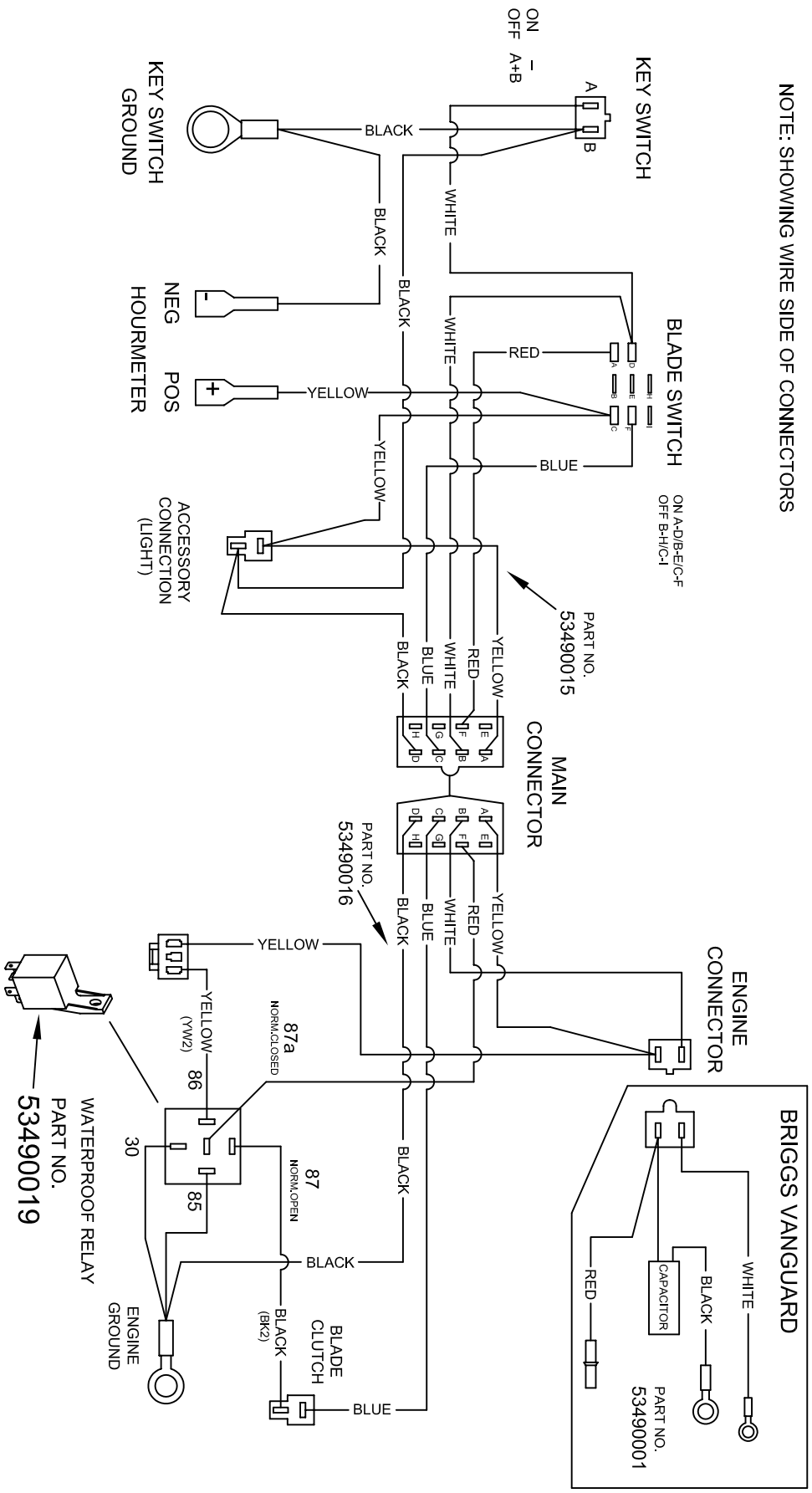


Figure 9

# STANDER

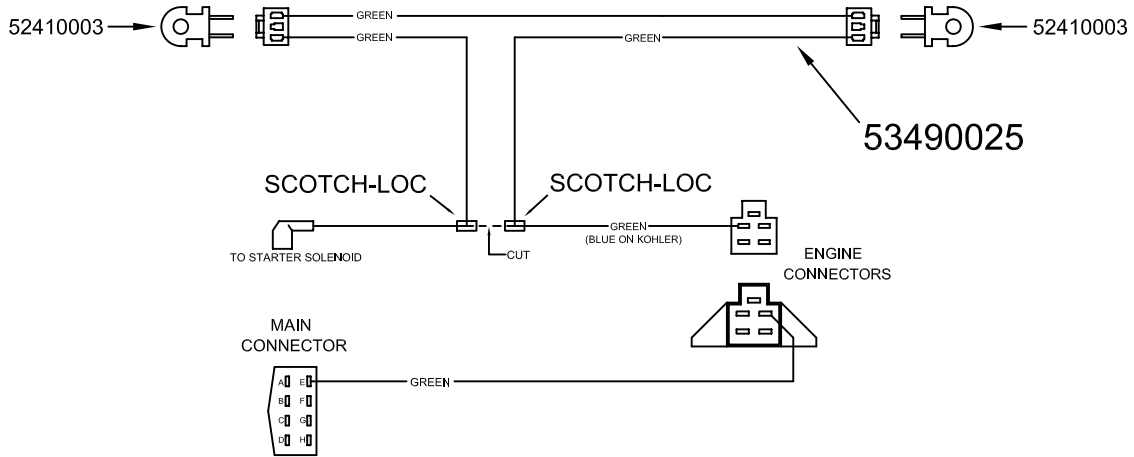
## RECOIL START WIRE HARNESSSES

NOTE: SHOWING WIRE SIDE OF CONNECTORS

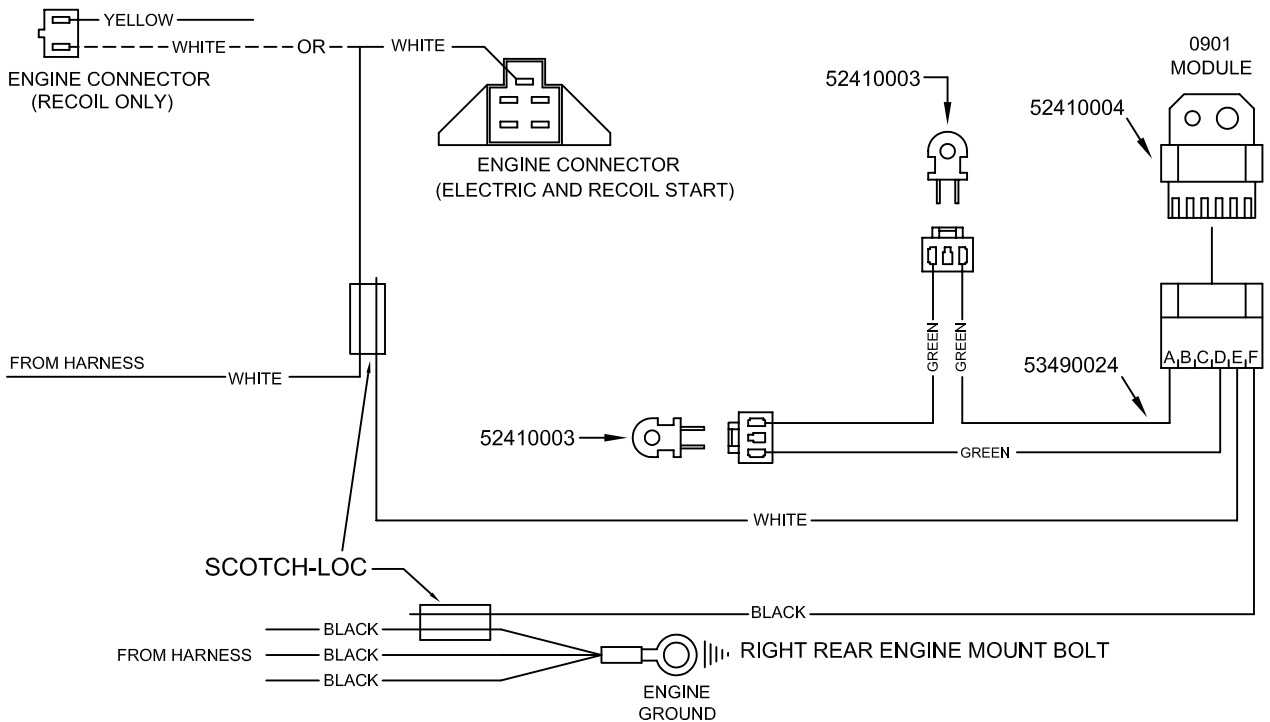


# STANDER (EUROPEAN MODELS)

## STANDER CE ENGINE START LOCKOUT (ELECTRIC START ONLY / NO RECOIL)

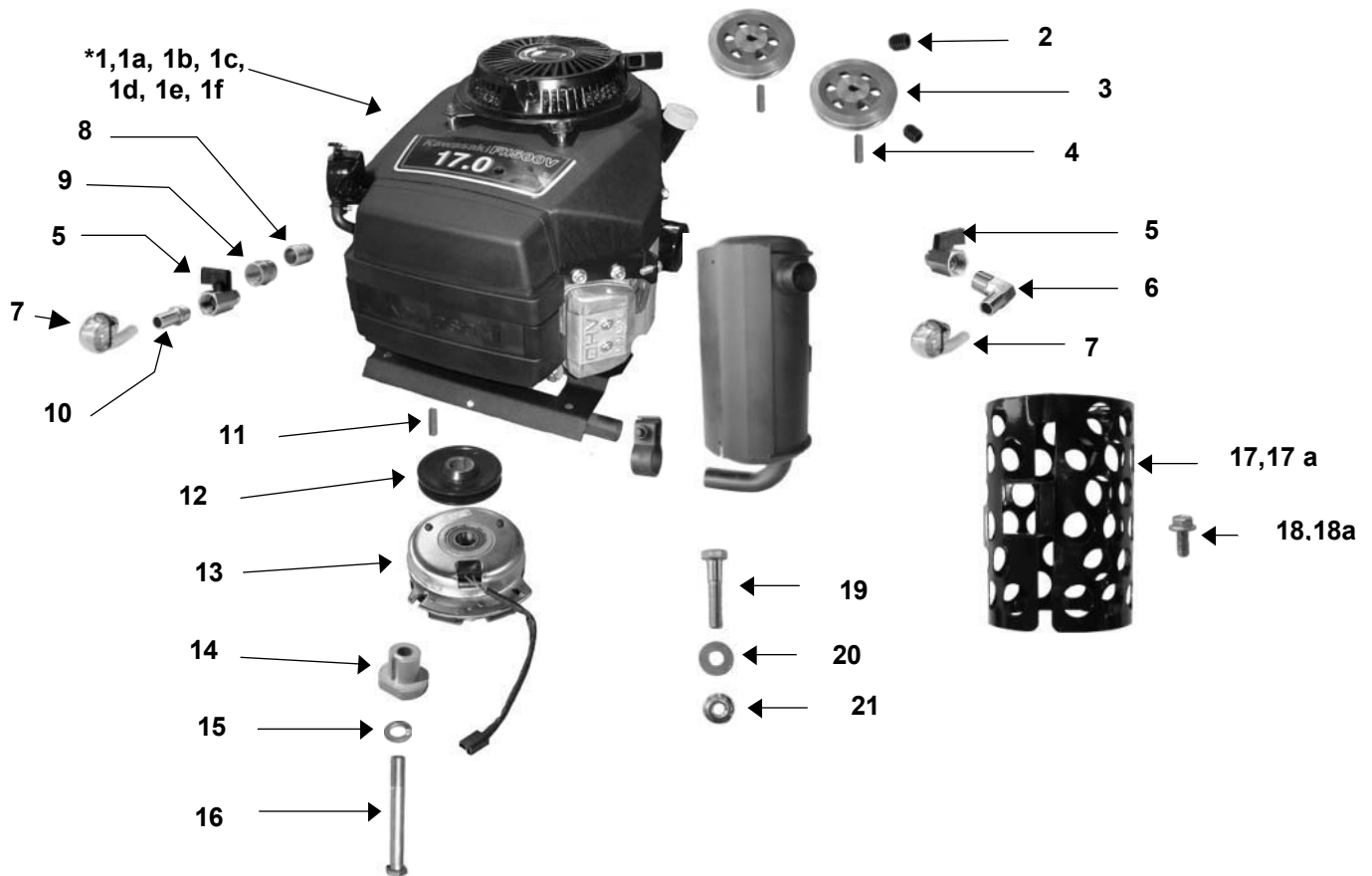


## STANDER CE ENGINE START LOCKOUT (RECOIL AND RECOIL/ELECTRIC)



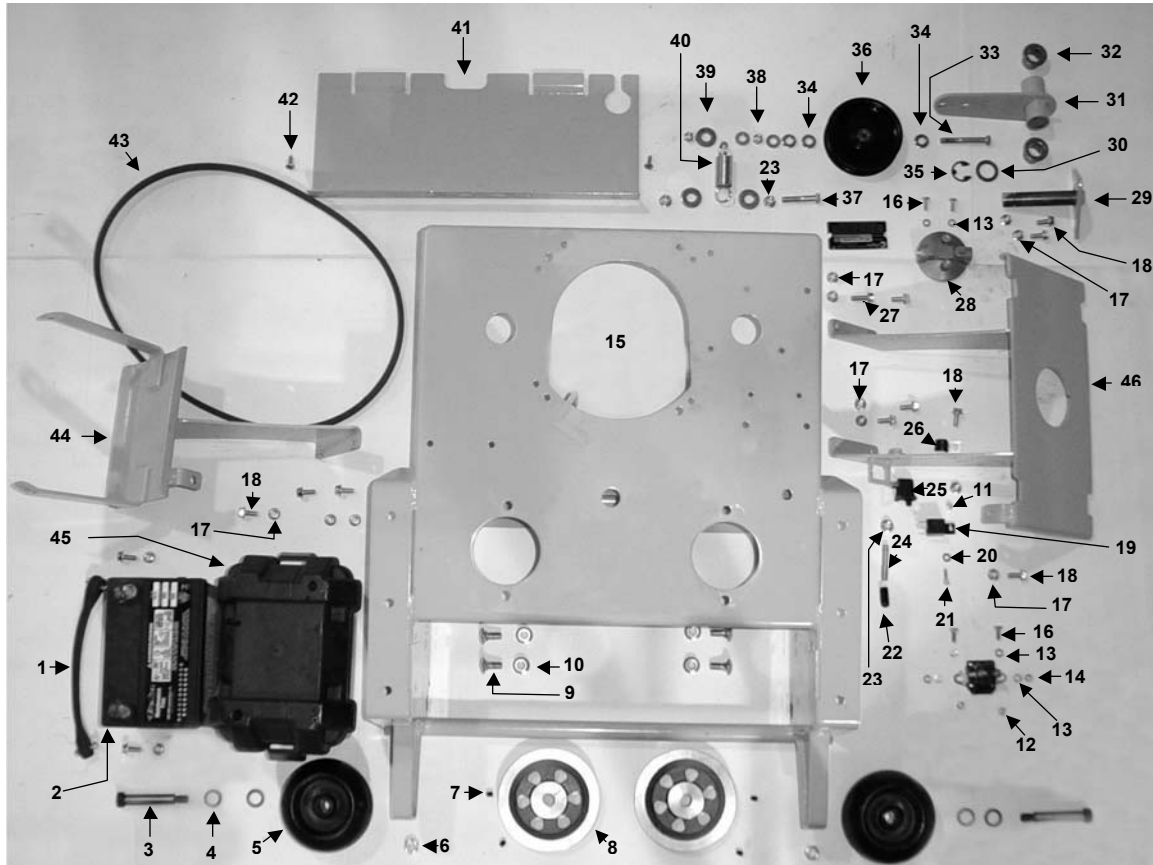
# WRIGHT STANDER ENGINE AND MUFFLER ASSEMBLY

Figure 11



|     |          |   |
|-----|----------|---|
| 1*  | 51410005 | Engine, 17HP Kawasaki, Recoil                           |
| 1a* | 51410006 | Engine, 17HP Kawasaki, Recoil/Electric                  |
| 1b* | 51410014 | Engine, 19HP Kawasaki, Electric                         |
| 1c* | 51410010 | Engine, 23HP Kawasaki Electric                          |
| 1d* | 51410029 | Engine, 25HP Kawasaki Electric                          |
| 1e* | 51410013 | Engine, 23HP Kohler Electric                            |
| 1f* | 51410030 | Engine, 25HP Kohler Electric                            |
| 2   | 71410004 | Setscrew, 5/16-18 x 3/8                                 |
| 3   | 71410003 | Pulley 5.45 OD x A GRV x 15mm ( Hydro Pumps)            |
| 4   | 15990004 | Machine Key 5mm x 5mm x 25mm                            |
| 5   | 36410003 | Oil Drain Valve   |
| 6   | 36410005 | Fitting, Male Barb, 90 Deg (Kaw)                        |
| 7   | 81410017 | Tube, Oil Drain   |
| 8   | 35410016 | Nipple, Brass, 3/8 NPT close                            |
| 9   | 35410017 | Coupling, Brass, 3/8 NPT                                |
| 10  | 36410004 | Fitting, Male Barb 1/2 Strt                             |
| 11  | 15990003 | Machine Key 1/4 Sq. x 1"                                |
| 12  | 71410005 | Pulley 5 -1/16 OD x A GRV x 1"                          |
| 13  | 71410001 | Clutch/Brake  |
| 14  | 71410007 | D Spacer, for Clutch                                    |
| 15  | 13990002 | Washer, Lock 7/16 Z                                     |
| 16  | 11990010 | Bolt, Hex 7/16-20 x 2 3/4 Z5                            |
| 17  | 91410014 | Muffler Guard, Kawasaki 17 HP (CE Models only)          |
| 17a | 91410015 | Muffler Guard, Kawasaki 19, 23, 25 HP ( CE Models only) |
| 18  | 11990067 | Bolt, Hex M8 - 1.25 x 15 Z                              |
| 18a | 11990030 | Bolt, Flange 3/8 - 16 x 3/4 Z5 For 17 HP                |
| 19  | 11990009 | Bolt, Hex 5/16 - 24 x 1 1/2 Z5                          |
| 20  | 13990009 | Washer, Flat USS 1/4 Z                                  |
| 21  | 12990011 | Nut, Lock Flange 5/16 - 24 Z                            |
| *   | NOTE     | All Engines incl. Exhaust and muffler ( Shipped Loose ) |

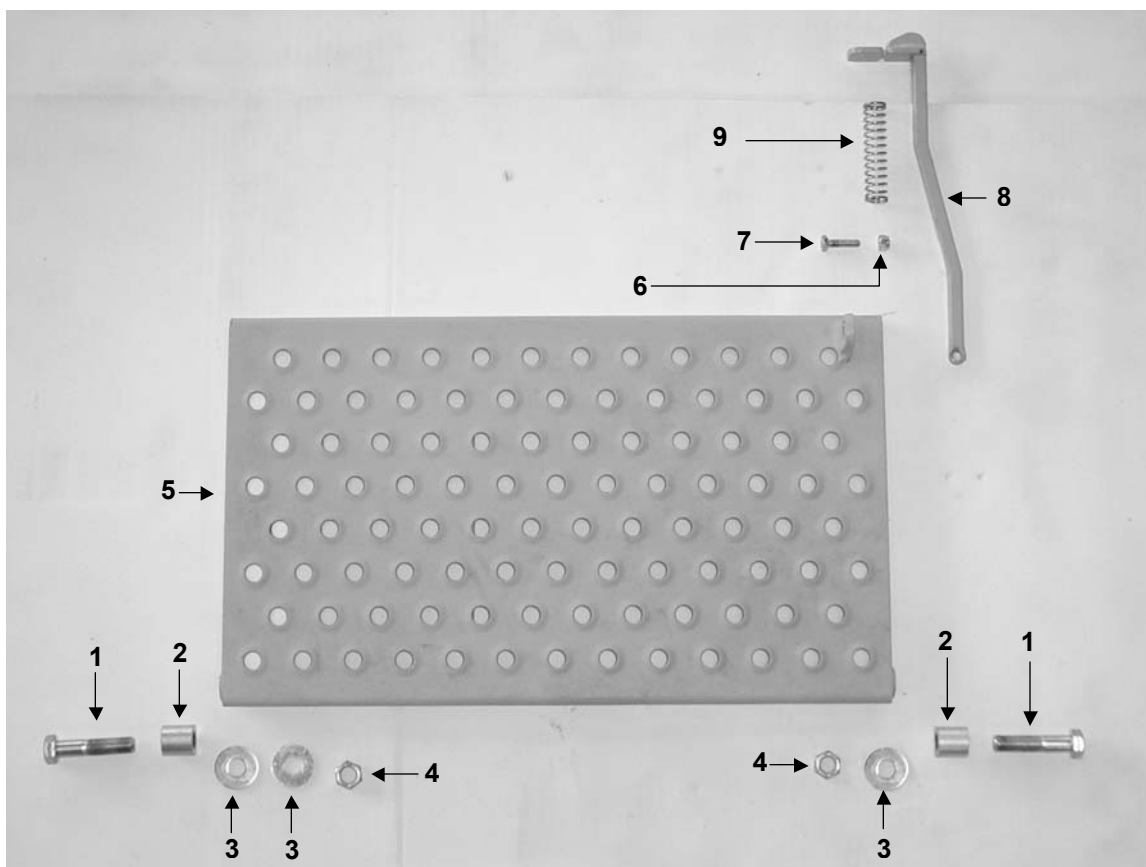
# WRIGHT STANDER ENGINE DECK ASSEMBLY



|    |          |  |    |          |  |
|----|----------|--|----|----------|--|
| 1  | 98410025 | Battery Strap                          | 24 | 24420010 | T - Stud, Stander OPC                  |
| 2  | 56410001 | Battery. 12v, Maint. Free              | 25 | 52410003 | Switch, OPC, Elet. Strt                |
| 3  | 11990022 | Bolt, SHLDR Allen 5/8 x 2 3/4          | 26 | 15990002 | Clip, Half 5/8                         |
| 4  | 13990016 | MACH Bushing 5/8 ID 1 OD 14 Ga.        | 27 | 11990013 | Bolt, Flange 5/16 - 18 x 1 Z5          |
| 5  | 72490001 | Wheel, Plastic, 5" x 2 3/4 w/ 5/8 Bore | 28 | 34490001 | Hydro Oil Filter Housing Block         |
| 6  | 12990022 | Nut, Nylock Jam 1/2 - 13               | 29 | 93490001 | Idler Arm Base                         |
| 7  | 71410004 | Set Screw 5/16 - 18 x 3/8              | 30 | 13990017 | Mach. Bushing 7/8 ID 1 3/8 OD 14 Ga.   |
| 8  | 71410003 | Pulley 5.45 OD x A Grv x 15 mm         | 31 | 98490003 | Idler Arm Assembly, Hydro              |
| 9  | 11990017 | Bolt, Carriage, 7/16 x 1 Z5            | 32 | 14990001 | Bushing, Bronze                        |
| 10 | 12990009 | Nut, Lock Flange 7/16 - 14 Z           | 33 | 11990004 | Bolt, Hex 3/8 - 16 x 2 1/2 Z5          |
| 11 | 12990016 | Nut, Nylock 10 - 32                    | 34 | 13990010 | Washer, Flat USS 5/16 Z                |
| 12 | 12990019 | Nut, Nylock 1/4 - 20 Z                 | 35 | 15990010 | E- Clip 7/8                            |
| 13 | 13990020 | Washer, Lock 1/4 Z                     | 36 | 71460006 | Pulley, Idler 4 1/2 x 1 x 3/8 Bore     |
| 14 | 12990024 | Nut, Hex, 1/4 - 20 Z                   | 37 | 11990005 | Bolt, Hex 3/8 - 16 x 2 Z5              |
| 15 | 93410009 | Tractor Frame Weldment                 | 38 | 12990031 | Nut, Toplock 3/8 - 16                  |
| 16 | 11990001 | Bolt, Hex 1/4 - 20 x 3/4 Z5            | 39 | 13990002 | Washer, Flat USS 7/16 Z                |
| 17 | 12990007 | Nut, Lock Flange 5/16 - 18 Z           | 40 | 16420002 | Spring, Pump Idler, New                |
| 18 | 11990012 | Bolt, Flange 5/16 - 18 x 3/4 Z5        | 41 | 93410004 | Pulley Guard Plate                     |
| 19 | 53490019 | Water Proof Relay                      | 42 | 11990024 | Screw, Truss HD MACH 1/4 - 20 x 3/4 SS |
| 20 | 13990003 | Washer, Flat SAE #10 Z                 | 43 | 71460033 | Belt, Hydro                            |
| 21 | 11990042 | Screw, PHLPS Pan 10 - 32 x 3/4 Z       | 44 | 93410016 | Battery Stand                          |
| 22 | 17460002 | Cap, Vinyl 3/8 x 1                     | 45 | 56410002 | Battery Case, Base and Lid             |
| 23 | 12990008 | Nut, Lock Flange 3/8 - 16 Z            | 46 | 93410006 | Fuel Tank Stand                        |

# WRIGHT STANDER FOOT PLATE ASSEMBLY

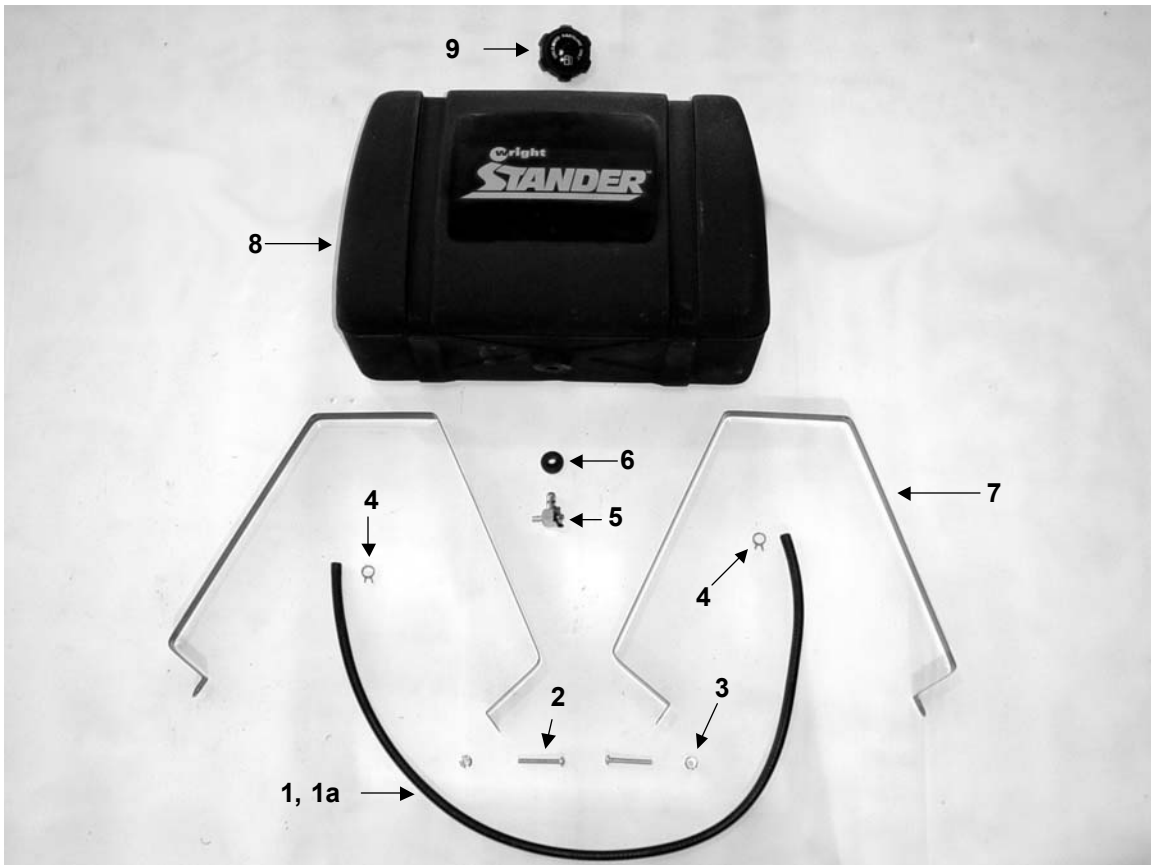
Figure 13



|   |          |                               |
|---|----------|-------------------------------|
| 1 | 11990011 | Bolt, Hex ½ - 20 x 2 Z5       |
| 2 | 96410002 | Foot Plate Joint, Zinc Plated |
| 3 | 13990002 | Washer, Flat USS 7/16 Z       |
| 4 | 12990018 | Nut, Nylock Jam ½ - 20        |
| 5 | 93410001 | Foot Plate Platform           |
| 6 | 12990019 | Nut, Nylock ¼ - 20 Z          |
| 7 | 11990069 | Bolt, Hex ¼ - 20 x 1 Z5       |
| 8 | 93410085 | OPC Actuator, Stander         |
| 9 | 16410002 | Spring Large Compression      |

# WRIGHT STANDER FUEL ASSEMBLY

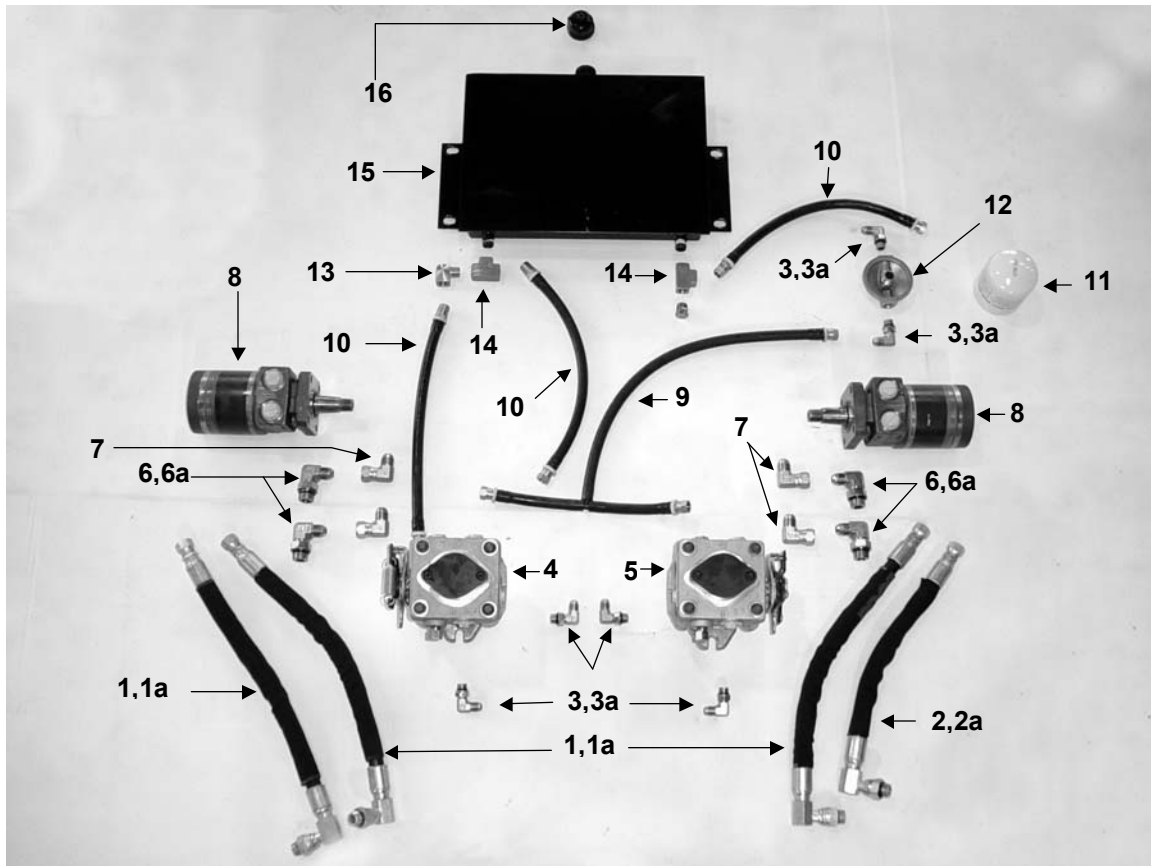
Figure 14



|    |          |                                   |
|----|----------|-----------------------------------|
| 1  | 81410044 | Fuel Line, 34" ( Kohler Engine )  |
| 1a | 81410012 | Fuel Line, 9"                     |
| 2  | 11990025 | Screw, Round PHLP ¼ - 20 x 2 Z    |
| 3  | 12990006 | Nut, Lock Flange ¼ - 20 Z         |
| 4  | 43410001 | Hose Clamp, ¼                     |
| 5  | 41410004 | Valve, Ball 90 Deg. For Fuel Tank |
| 6  | 41410003 | Bushing For Fuel Tank Valve       |
| 7  | 91410002 | Fuel Tank Strap                   |
| 8  | 41410005 | Fuel Tank, incl. #5 and #6        |
| 9  | 41410002 | Fuel Tank Cap w/Vent              |

# WRIGHT STANDER HYDRAULIC ASSEMBLY

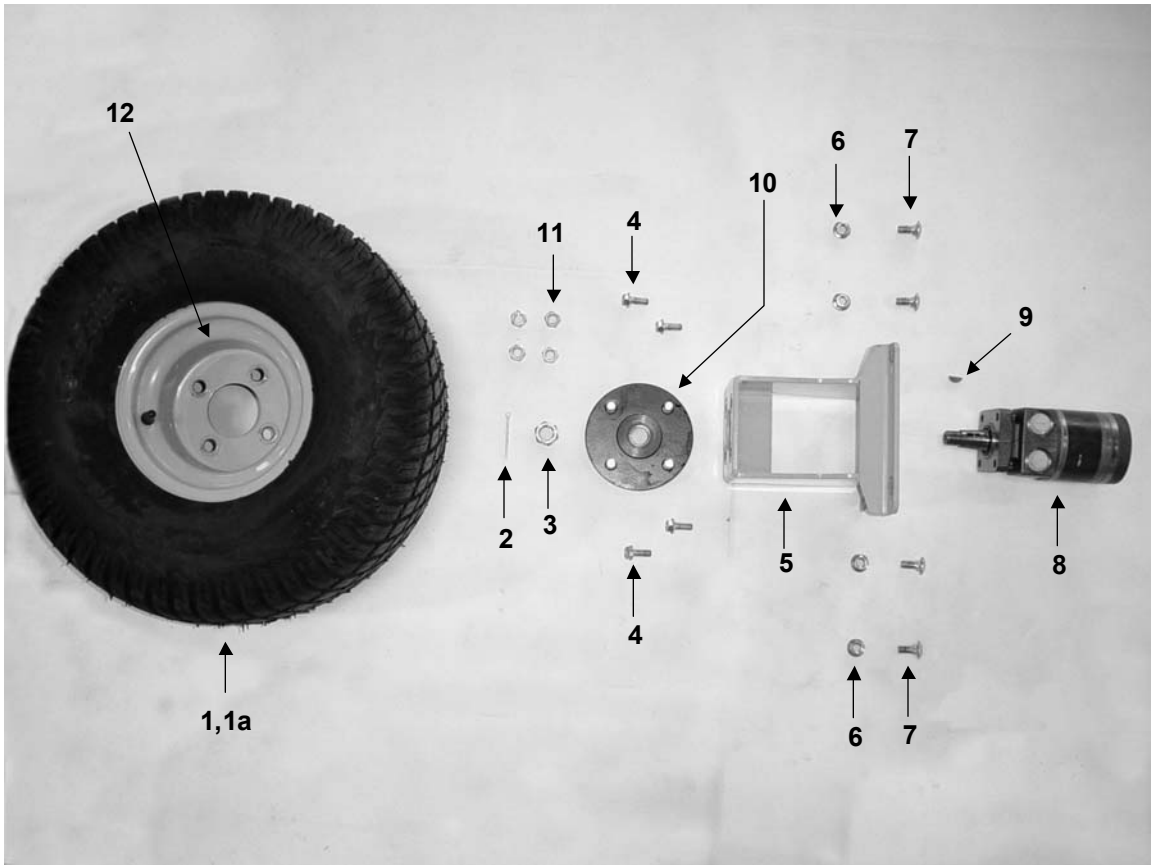
Figure 15



|    |          |  |
|----|----------|--|
| 1  | 33410010 | Hydro High Pressure Hose Assembly 18 ½ " |
| 1a | 35410021 | O-ring ( 5/8 x 13/16 x 3/32 )            |
| 2  | 33410011 | Hydro High Pressure Hose Assembly 15 ½ " |
| 2a | 35410021 | O-ring ( 5/8 x 13/16 x 3/32 )            |
| 3  | 35410007 | Elbow, STRT O ring, 3/8 x 3/8            |
| 3a | 35410019 | O-ring ( 15/32 x 5/8 x 5/64 )            |
| 4  | 31490004 | Hydro Pump Right                         |
| 5  | 31490005 | Hydro Pump Left                          |
| 6  | 35410008 | Elbow, STRT O-ring ½ x 5/8               |
| 6a | 35410022 | O ring ( 3/4 x 15/16 x 3/32 )            |
| 7  | 35410005 | Elbow, Swivel JIC ½ "                    |
| 8  | 32410002 | Hydro Motor ( MF14 )                     |
| 9  | 33410030 | Tee Hose, 5.25" x 5.25" x 20"            |
| 10 | 98420008 | Hose Assembly 12 ½ "                     |
| 11 | 34490002 | Hydro Oil Filter ( 25 micron )           |
| 12 | 34490001 | Hydro Filter Housing                     |
| 13 | 35410010 | Elbow 3/8 Street                         |
| 14 | 35410011 | Brass Tee, Female 3/8                    |
| 15 | 91420002 | Hydro Tank                               |
| 16 | 91420001 | Hydro Tank Cap                           |

# WRIGHT STANDER MOTOR SUPPORT ASSEMBLY

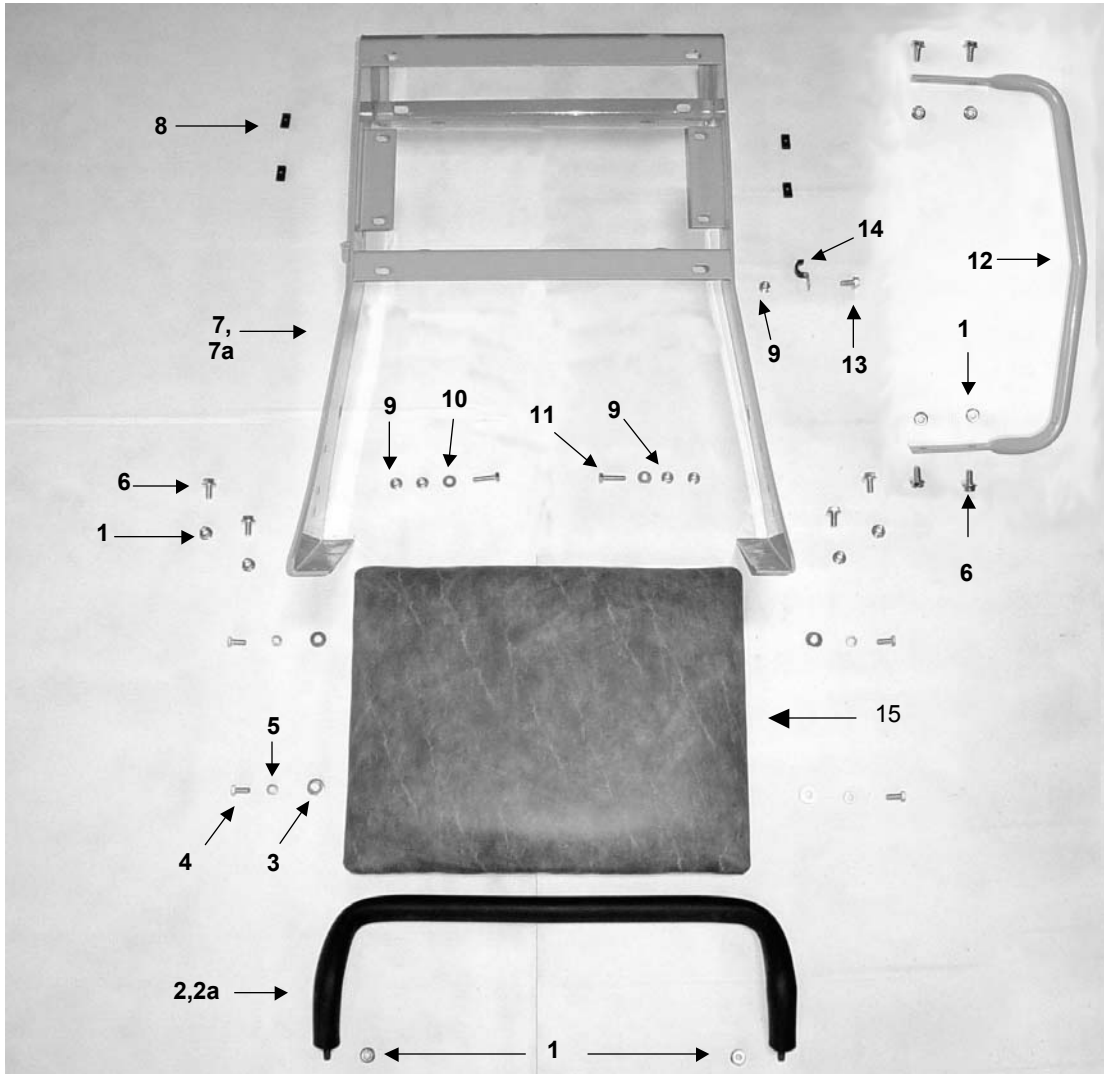
Figure 16



|    |          |   |
|----|----------|---|
| 1  | 72410012 | Wheel Assembly, 20 x 10.00 – 8 Turfmaster |
| 1a | 72410011 | Tire only                                 |
| 2  | 15990012 | Pin, Cotter 1/8 x 2                       |
| 3  | 12990023 | Nut, Castle 3/4 - 14                      |
| 4  | 11990046 | Bolt, Flange 3/8 – 16 x 1 Z8              |
| 5  | 93410018 | Wheel Motor Bracket                       |
| 6  | 12990009 | Nut, Lock Flange 7/16 – 14 Z              |
| 7  | 11990017 | Bolt, Carriage 7/16 x 1 Z5                |
| 8  | 32410002 | Hydro Motor ( MF14) ( incl. #3 and #9 )   |
| 9  | 15990015 | Woodruff Key 3/16 x 3/4                   |
| 10 | 72410017 | Wheel Hub, Heavy Duty Cast                |
| 11 | 72410001 | Nut, Lug 1/2 - 20                         |
| 12 | 72410005 | Rim Only                                  |

# WRIGHT STANDER UPRIGHT ASSEMBLY

Figure 17



|    |          |  |
|----|----------|--|
| 1  | 12990008 | Nut, Lock Flange 3/8 – 16                          |
| 2  | 98420013 | Pump Guard Bar ( incl. 2a )                        |
| 2a | 17420006 | Foam for Pump Guard Bar                            |
| 3  | 13990010 | Washer, Flat 5/16 Z                                |
| 4  | 11990027 | Bolt, Hex 5/16 – 18 x 1 Z5                         |
| 5  | 13990004 | Washer, Lock 5/16 Z                                |
| 6  | 11990030 | Bolt, Flange 3/8 – 16 x 3/4 Z5                     |
| 7  | 93420036 | Upright Frame                                      |
| 7a | 93420051 | Upright Frame CE Only – Serial Number Break #21674 |
| 8  | 12990012 | Nut, U 1/4 - 20                                    |
| 9  | 12990007 | Nut, Lock Flange 5/16 – 18 Z                       |
| 10 | 13990009 | Washer, Flat 1/4 Z                                 |
| 11 | 11990065 | Bolt, Hex 5/16 – 18 x 1 1/4 Z5                     |
| 12 | 93420007 | Stationary Handle Bar                              |
| 13 | 11990012 | Bolt, Flange 5/16 – 18 x 3/4 Z5                    |
| 14 | 15990002 | Clip, Half 5/8                                     |
| 15 | 98420002 | Cushion  |

# WRIGHT STANDER DECALS

Figure 18

# 48    52    61    122    132    155

1

2

3

4

5

6



7



8



9



10



12 ( QTY. 2 )



13



14



11



17



18 ( QTY. 3 )



15



16



19



20 ( QTY. 2 )

|    |          |                                |
|----|----------|--------------------------------|
| 1  | 76410001 | Decal, 48" Deck Size           |
| 2  | 76490007 | Decal, 52" Deck Size           |
| 3  | 76490012 | Decal, 61" Deck Size           |
| 4  | 76490042 | Decal "122" Deck Size          |
| 5  | 76490043 | Decal "132" Deck Size          |
| 6  | 76490044 | Decal "155" Deck Size          |
| 7  | 76490005 | Throttle/Instructions          |
| 8  | 76490013 | Main, Inst. Panel              |
| 9  | 76490018 | Speed, Sensit. Adjust          |
| 10 | 76490031 | Decal, CE Throttle/Instruction |
| 11 | 76490017 | Decal, Choke                   |
| 12 | 76490023 | Decal, Circle with "W"         |
| 13 | 76410001 | Decal, All Logos               |
| 14 | 76490046 | Decal, CE Noise, 105           |
| 15 | 76490030 | Decal, CE Main, Inst. Panel    |
| 16 | 76490004 | Stander, Front                 |
| 17 | 76490029 | Decal, CE Shield Missing       |
| 18 | 76490001 | Decal, Shield Missing          |
| 19 | 76490028 | Decal, CE Blade Hazard         |
| 20 | 76460001 | Decal, Danger Blade Hazard     |